



 **PENTAIR**
SHURFLO®

BEVERAGE CATALOG

VOLUME SIX | ISSUED JANUARY 1, 2016

Since 1968, Pentair® has been in the business of manufacturing quality, innovative, Shurflo®-branded pumps and components to the Recreational Vehicle, Marine, Foodservice, General Industrial and Beverage markets. Pentair takes pride in providing each customer with quality solutions for their fluid pumping needs. The Beverage market is a prime example of where Shurflo brand product innovations have been applied. Adapting pumps and components to meet the needs of the reverse osmosis booster, delivery and transfer applications have led us to develop a wide array of innovative solutions to help our valued customers grow their business.

In its Shurflo Beverage Products Catalog, Pentair offers a wide range of pumps and components to meet your fluid requirements. Each product is backed by superior quality and excellent service. For more information about other Shurflo-branded products from Pentair, please call us at **1.800.942.1153** or contact one of our highly qualified distributors.

Terms: Net 30 days with approved credit.

Freight: Prepaid on orders of \$20,000 or more: North America only.

Minimum Order Quantity: One full carton – no broken cases.

Restocking Fee: All products are subject to 25% re-stocking charge based on manufacturing date, revision level, and inventory space.

Limited Warranty is valid from the date of manufacture. Shurflo products are warranted to be free of defects in material and workmanship. This warranty extends only to the original consumer and purchaser and does not cover product that malfunctions due to misapplication, neglect or unauthorized modifications.

BIB Pumps – Yellow Clip: Five years; Service Pumps: 18 months;
Red Clip: Warranty varies, contact Pentair.

Beer Ace Pumps – Two years

Water Boost – One year

Water Pressure Reducer Valves (WPRV) – One year

Brix Pumps – Two years

LVPO Water Boost – One year

Electric Pumps – One year

NOTE: Part numbers and prices are subject to change without notice.

TABLE OF CONTENTS

SHURFLO® GAS PUMPS

- 2 GENERAL BEVERAGE BAG-IN-BOX (BIB) PUMPS, YELLOW CLIP
- 2 COCA-COLA® BIB PUMPS, RED CLIP
- 3 BIB PUMP SYSTEMS, RED CLIP
- 3 JUICE AND CONDIMENT BIB PUMPS
- 4 BEER ACE™ II PUMPS
- 4 VACUUM REGULATING VALVE (VRV)
- 5 AUTOMATIC SELECTOR VALVES (ASV)
- 5 AIR VENTS
- 6 BIB PUMP LIQUID PORT FITTINGS
- 6 BIB PUMP GAS/AIR PORT FITTINGS
- 7 QUICK DISCONNECT CLIPS
- 7 BIB PUMP SLIDE RACK/TRACK ACCESSORIES

SHURFLO BRIX PUMPS

- 8 BRIX PUMPS
- 8 BRIX ACCESSORIES & KITS

SHURFLO ELECTRIC PUMPS

- 9 ELECTRIC BEVERAGE PUMP SYSTEM
- 9 TRANSFER PUMPS
- 10 STANDARD WATER BOOST PUMPS
- 10 24 VDC POWER SUPPLY
- 11 WATER BOOST PUMP KIT
- 11 DELIVERY PUMPS
- 12 CARBONATOR PUMPS
- 12 SOLD OUT SWITCHES

SHURFLO WATER BOOST SYSTEMS

- 13 MINI WATER BOOST SYSTEMS
- 13 MEDIUM WATER BOOST SYSTEMS
- 14 MAXI WATER BOOST SYSTEMS
- 15 WATER BOOST & LVPO FILTRATION SYSTEM
- 15 WATER BOOST ACCESSORIES

EVERPURE® WATER MANAGEMENT SYSTEMS

- 16 SIMPLIFLOW® SYSTEMS

SHURFLO BEVERAGE ACCESSORIES

- 18 WATER PRESSURE REDUCER VALVES (WPRV)
- 18 ACCUMULATOR TANKS
- 18 ELTEK® WATER BLOCK

SHURFLO LVPO FILTRATION

- 19 LVPO FILTRATION SYSTEMS
- 20 LVPO REPLACEMENT FILTERS
- 20 FILTRATION ACCESSORIES



SHURFLO® GENERAL BEVERAGE BIB PUMPS, YELLOW CLIP

Shurflo heavy duty, gas-driven (CO₂/Air) diaphragm pumps are designed for the dispensing of Bag-in-Box (BIB) syrups, teas, juices, and wines. It utilizes a technically superior, straight-through flow path design to maximize performance by minimizing pressure drop. The pumps feature an automatic demand and automatic sold out vacuum shutoff for ease of operation.

- Straight, short syrup path for consistent, efficient delivery
- High volume per stroke for maximized pump life
- Operating pressure to 85 PSI [5.86 bar] can handle the most difficult installations, suitable for all pumping needs

PART NO	LIQUID IN	LIQUID OUT	GAS IN	GAS OUT	MOUNTING BRACKET	CASE QTY	LIST PRICE
94-384-31	3/8" [10 mm] barb plastic elbow	3/8" [10 mm] barb stainless steel elbow	1/4" [6 mm] barb plastic elbow w/check valve	N/A	P-bracket	12	\$94.35
94-384-32	3/8" [10 mm] barb plastic elbow	3/8" [10 mm] barb stainless steel elbow	1/4" [6 mm] barb plastic tee w/check valve	N/A	P-bracket	12	94.35
94-360-00	3/8" [10 mm] barb plastic elbow	1/4" [6 mm] barb stainless steel elbow	1/4" [6 mm] barb plastic elbow w/check valve	N/A	Std. bracket	12	74.46
94-360-40	3/8" [10 mm] barb plastic elbow	1/4" [6 mm] barb stainless steel elbow	1/4" [6 mm] barb plastic tee w/check valve	N/A	Std. bracket	12	74.46
94-360-38	3/8" [10 mm] barb plastic elbow	3/8" [10 mm] barb stainless steel elbow	1/4" [6 mm] barb plastic elbow w/check valve	N/A	Std. bracket	12	75.24
94-360-41	3/8" [10 mm] barb plastic elbow	3/8" [10 mm] barb stainless steel elbow	1/4" [6 mm] barb plastic tee w/ check valve	N/A	Std. bracket	12	75.24
94-366-50 High Altitude	3/8" [10 mm] barb plastic elbow	1/4" [6 mm] barb stainless steel elbow	1/4" [6 mm] barb plastic elbow w/check valve	N/A	Std. bracket	12	74.46
94-366-49 High Altitude	3/8" [10 mm] barb plastic elbow	1/4" [6 mm] barb stainless steel elbow	1/4" [6 mm] barb plastic tee w/check valve	N/A	Std. bracket	12	74.46
94-366-48 High Altitude	3/8" [10 mm] barb plastic elbow	3/8" [10 mm] barb stainless steel elbow	1/4" [6 mm] barb plastic tee w/check valve	N/A	Std. bracket	12	75.24
94-444-03 Core Pump	N/A	N/A	N/A	N/A	Std. bracket	360	71.60
94-444-02	3/8" [10 mm] barb plastic elbow	N/A	N/A	N/A	N/A	360	54.91
94-444-01 High Altitude	3/8" [10 mm] barb plastic elbow	N/A	N/A	N/A	N/A	360	54.91
94-441-48 Service Pump	N/A	N/A	N/A	N/A	Std. bracket	12	69.97

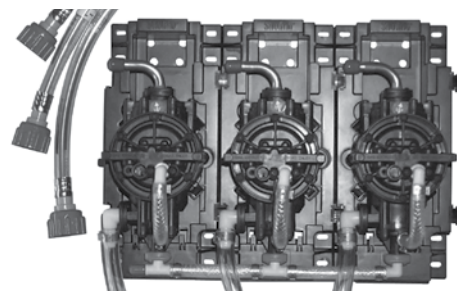
COCA-COLA® BIB PUMPS, RED CLIP

PART NO	LIQUID IN	LIQUID OUT	GAS IN	GAS OUT	MOUNTING BRACKET	CASE QTY	LIST PRICE
94-360-06	3/8" [10 mm] barb plastic elbow	3/8" [10 mm] barb stainless steel elbow	1/4" [6 mm] barb plastic elbow w/check valve	N/A	Std. bracket	12	\$75.24
94-360-19	3/8" [10 mm] barb plastic elbow	3/8" [10 mm] barb stainless steel elbow	1/4" [6 mm] barb brass elbow w/check valve	N/A	Std. bracket	12	76.33
94-440-38	1/4" [10 mm] barb plastic elbow	1/4" [10 mm] barb stainless steel elbow	1/4" [6 mm] barb plastic elbow w/check valve	N/A	Std. bracket	12	74.46
94-360-02	3/8" [10 mm] barb plastic elbow	3/8" [10 mm] barb stainless steel elbow	1/4" [6 mm] barb brass tee w/check valve	N/A	Std. bracket	12	76.33
94-440-39 High Altitude Pump	3/8" [10 mm] barb plastic elbow	1/4" [6 mm] barb stainless steel elbow	1/4" [6 mm] barb plastic elbow w/check valve	N/A	Std. bracket	12	75.24
94-441-17 Service Pump	N/A	N/A	N/A	N/A	Std. bracket	12	69.97

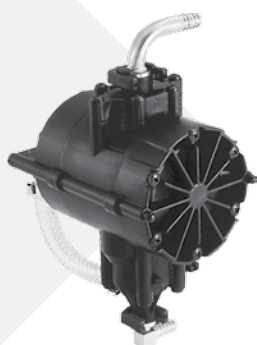
SHURFLO® BIB PUMP SYSTEMS, RED CLIP

Shurflo Bag-in-Box (BIB) Pump Systems feature a number of pumps mounted on a universal modular board (with quick-change pump mounting brackets), which can be quickly mounted on a wall. One to three pump options are shown in table

below but additional options are available. Other configurations are available upon request (minimum quantities required) featuring various combinations of fittings, inlet BIB tubing, air manifold and BIB connectors.



PART NO	# OF PUMPS	LIQUID IN	LIQUID OUT	GAS IN	GAS OUT	MOUNTING BRACKET	LIST PRICE
94-440-60	1	66" [168 cm] BIB Tubing and BIB Connector	3/8" [10 mm] barb stainless steel elbow	1/4" [6 mm] barb plastic elbow w/check valve	N/A	Std. bracket	\$95.20
94-440-30 High Altitude	1	66" [168 cm] BIB Tubing and BIB Connector	3/8" [10 mm] barb stainless steel elbow	1/4" [6 mm] barb plastic elbow w/check valve	N/A	Std. bracket	95.20
94-440-31 High Altitude	1	66" [168 cm] BIB Tubing and BIB Connector	1/4" [6 mm] barb stainless steel elbow	1/4" [6 mm] barb plastic elbow w/check valve	N/A	Std. bracket	94.35
94-376-51	1	66" [168 cm] BIB Tubing and BIB Connector	3/8" [10 mm] barb stainless steel elbow	1/4" [6 mm] barb brass tee w/check valve	N/A	Universal Modular Board	97.75
94-376-52	2	66" [168 cm] BIB Tubing and BIB Connector	3/8" [10 mm] barb stainless steel elbow	1/4" [6 mm] barb brass tee manifold w/check valve	N/A	Universal Modular Board	221.85
94-376-53	3	66" [168 cm] BIB Tubing and BIB Connector	3/8" [10 mm] barb stainless steel elbow	1/4" [6 mm] barb brass tee manifold w/check valve	N/A	Universal Modular Board	314.50



SHURFLO JUICE AND CONDIMENT BIB PUMPS

This model's straight-through flow path offers less restriction, allowing more viscous fluids and particulates to be pumped. Pump valves have been modified using custom-designed materials compatible with all aggressive

concentrates, including cranberry juice. The particulate valve will allow particulates up to 1/4" [6 mm] cubed, assuring fewer restrictions than other pumps on the market.

PART NO	LIQUID IN	LIQUID OUT	GAS IN	GAS OUT	MOUNTING BRACKET	CASE QTY	LIST PRICE
94-360-05 Juice Pump	3/8" [10 mm] barb black plastic elbow	3/8" [10 mm] barb black plastic elbow	1/4" [6 mm] barb plastic elbow w/check valve	N/A	Std. bracket	12	\$79.32
94-360-12 Particulate Pump	1/2" [13 mm] barb plastic elbow	1/2" [13 mm] barb plastic elbow	1/4" [6 mm] barb plastic elbow w/check valve	Muffler	Std. bracket	12	116.45
94-360-15 Particulate Pump	3/8" [10 mm] barb black plastic elbow	3/8" [10 mm] barb black plastic elbow	1/4" [6 mm] barb plastic elbow w/ check valve	N/A	Std. bracket	12	104.55
94-360-65 Juice Pump	3/8" [10 mm] barb black plastic elbow	1/2" [13 mm] barb stainless steel elbow	1/4" [6 mm] barb plastic elbow w/check valve	N/A	Std. bracket	12	125.00
94-360-62 Condiment Pump	1/2" [13 mm] barb plastic elbow	3/8" [10 mm] straight John Guest® adaptor	1/4" [6 mm] barb plastic elbow w/check valve	Muffler	Std. bracket	12	102.00



SHURFLO® BEER ACE™ II PUMPS

The Shurflo Beer Ace II Pump has positive inlet pressure and is gas operated. The pump is used to drive beer from the keg to the tap without over-carbonating the beer.

- Dispense speed can be altered without over-carbonating the beer
- Handles long and difficult runs
- Enlarged pumping chambers and long piston stroke gives desired flow rate with fewer cycles and reduced wear
- Smooth flow and longer pump life

PART NO	LIQUID IN	LIQUID OUT	GAS IN	GAS OUT	MOUNTING BRACKET	CASE QTY	LIST PRICE
166-257-00	N/A	N/A	N/A	N/A	Std. bracket	12	\$86.70
166-257-16	3/8" [10 mm] barb plastic	3/8" [10 mm] barb plastic	1/4" [6 mm] barb plastic elbow w/check valve	N/A	Std. bracket	12	86.70
166-257-32	3/8" [10 mm] barb plastic	3/8" [10 mm] John Guest® adaptor	5/16" [8 mm] straight John Guest adaptor w/check valve	1/4" [6 mm] barb plastic elbow	Std. bracket	12	94.35
166-257-37	1/2" [13 mm] barb plastic elbow	3/8" [10 mm] barb straight plastic	3/8" [10 mm] straight plastic no check valve	N/A	Std. bracket	12	100.30
166-257-39	3/8" [10 mm] barb stainless steel elbow	1/4" [6 mm] barb stainless steel elbow	3/8" [10 mm] barb plastic elbow w/check valve	1/4" [6 mm] barb plastic elbow	Std. bracket	12	100.30
166-257-40	3/8" [10 mm] barb stainless steel elbow	3/8" [10 mm] barb straight stainless steel	3/8" [10 mm] barb plastic elbow w/check valve	N/A	Std. bracket	12	100.30
166-257-41	3/8" [10 mm] barb stainless steel elbow	3/8" [10 mm] barb stainless steel elbow	1/4" [6 mm] barb plastic elbow w/check valve	1/4" [6 mm] barb plastic elbow	Std. bracket	12	100.30

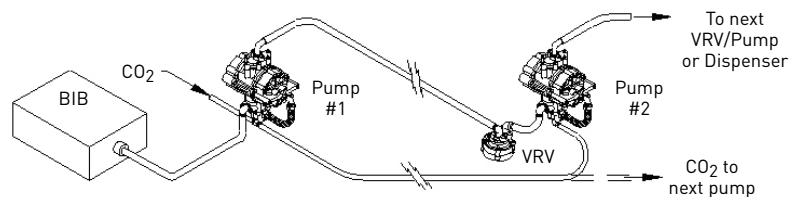


SHURFLO VACUUM REGULATING VALVE (VRV)

The Shurflo Vacuum Regulating Valve allows beverage pumps and brix pumps to receive liquid from a pressurized source. These pumps are not designed to have positive liquid inlet pressure (except Beer Ace II Pumps). By positioning the

vacuum regulator at the inlet of the pump, incoming liquid pressure is reduced to zero. This allows for the pumps to be plumbed in series for long distance pumping applications.

PART NO	DESCRIPTION	CASE QTY	LIST PRICE
94-054-00	With fittings, 3/8" [10 mm] barb elbow.	30	\$42.50

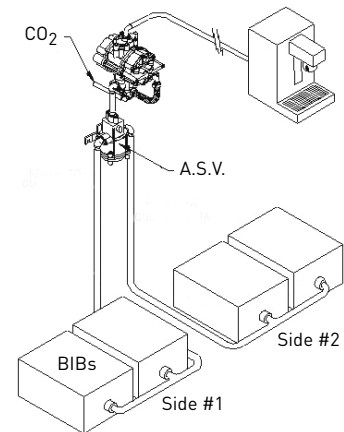


SHURFLO® AUTOMATIC SELECTOR VALVES (ASV)

The Shurflo ASV permits two or more syrups (BIBs) to be connected at the inlet port of the BIB pump. The BIB pump draws product through one side of the ASV until the BIB is evacuated and higher-than-normal vacuum is detected. Once the “switching” level of vacuum is

reached, the ASV automatically switches and begins drawing product from the BIB connected to the other side. The ASV permits uninterrupted beverage dispensing and allows store personnel the ability to replace the BIBs at a convenient time.

PART NO	DESCRIPTION	CASE QTY	LIST PRICE
94-350-08	General beverage, 18.0 in. [45.7 cm] Hg. switch point, 3/8" [10 mm] barb fittings.	30	\$45.80
94-350-03	General beverage, 18.0 in. [45.7 cm] Hg. switch point, 3/8" [10 mm] barb fittings – elbow on outlet.	30	49.00
165-110 High Altitude	General beverage, 12.0 in. [30.5 cm] Hg. switch point, 3/8" [10 mm] barb fittings – replaces 165-010.	30	44.70



SHURFLO AIR VENTS

The Shurflo Air Vent incorporates membrane technology to capture and eliminate entrained air/gas normally found in BIB systems. Capable of eliminating up to 2.5 BIBs [9.5 L] of air per day at 60 PSI [4.1 bar], this device has ample capacity for even high volume accounts. The Shurflo Air Vent product design life-tested to an equivalent of 15 years of performance. Product changes occur quickly, eliminating waste due to flavor and color carryover.

- Air vent sealed from syrup
- Utilizes gas permeable membrane to vent gas/air
- Service flow rate up to 4.70 oz [0.14 L] per second
- No moving parts = no disassembly



Bracket not shown.

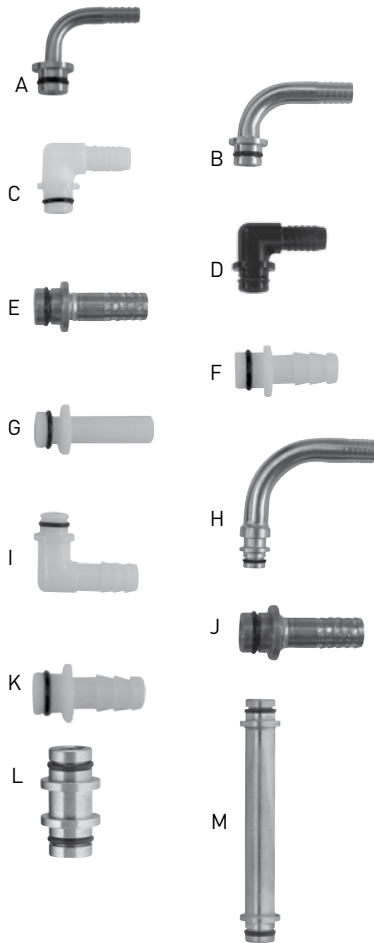
PART NO	DESCRIPTION	CASE QTY	LIST PRICE
SVA00R1	With standard slide track bracket, w/o fittings.	6	\$71.60
SVA00R3	With standard slide track bracket, 3/8" [10 mm] stainless steel elbow fittings.	6	80.80

Utilizes standard BIB pump liquid inlet/outlet fittings. [See page 6 for fitting options.]

SHURFLO® BIB PUMP LIQUID PORT FITTINGS

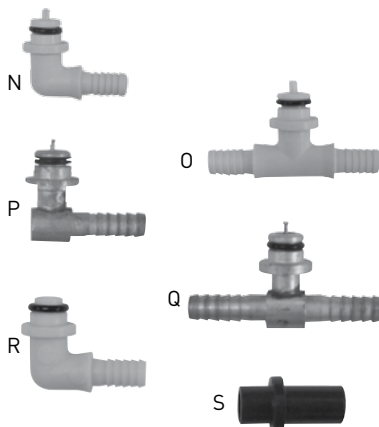
If the combination of fittings you require are not shown in any preconfigured pumps, consider purchasing a core pump (no fittings) and mix-and-match fittings from the list below. Please remember gas and

liquid fittings are not interchangeable. All fittings are sold in case quantities only. (Kits contain 25 or 50 fittings, depending on part number.)



PART NO		DESCRIPTION	CASE QTY	LIST PRICE
A	94-178-07	1/4" [6 mm] barb, stainless steel elbow, kit of 50 [84-044-01].	1 Kit	\$268.00
B	94-178-18	3/8" [10 mm] barb, stainless steel elbow, kit of 50 [84-044-11].	1 Kit	362.00
C	94-178-01	3/8" [10 mm] barb, plastic elbow, kit of 50 [84-042-01].	1 Kit	54.60
D	94-178-26	3/8" [10 mm] barb, polypro elbow (Juice), kit of 50 [84-042-05].	1 Kit	71.00
E	94-178-19	3/8" [10 mm] barb, stainless steel straight, kit of 50 [84-044-12].	1 Kit	345.00
F	94-178-03	3/8" [10 mm] barb, plastic straight, kit of 50 [84-038-00].	1 Kit	54.60
G	94-178-24	3/8" [10 mm] John Guest® plastic adaptor, kit of 50 [84-038-03].	1 Kit	61.00
H	94-178-51	1/2" [13 mm] barb, stainless steel elbow, kit of 25 [84-044-02].	1 Kit	359.00
I	94-178-20	1/2" [13 mm] barb, plastic elbow (Brix), kit of 50 [84-040-00].	1 Kit	118.00
J	94-178-27	1/2" [13 mm] barb, stainless steel straight, kit of 25 [84-044-14].	1 Kit	295.00
K	94-178-25	1/2" [13 mm] barb, plastic straight (Brix), kit of 50 [21-381-00].	1 Kit	172.00
L	94-178-406	3/8" [10 mm] x close stainless steel coupling, gas pump outlet to air vent inlet, kit of 6.	1 Kit	51.00
L	94-178-40	3/8" [10 mm] x close stainless steel coupling, gas pump outlet to air vent inlet, kit of 50.	1 Kit	300.00
M	94-178-416	3/8" [10 mm] x 3-3/8" [86 mm], stainless steel coupling, gas pump outlet to air vent inlet, kit of 6.	1 Kit	106.00
M	94-178-41	3/8" [10 mm] x 3-3/8" [86 mm], stainless steel coupling, gas pump outlet to air vent inlet, kit of 50.	1 Kit	749.00

SHURFLO BIB PUMP GAS/AIR PORT FITTINGS



PART NO		DESCRIPTION	CASE QTY	LIST PRICE
N	94-178-16	1/4" [6 mm] barb, plastic elbow, yellow w/check valve, kit of 50 [84-033-13].	1 Kit	\$129.00
O	94-178-17	1/4" [6 mm] barb, plastic tee, yellow w/check valve, kit of 50 [84-078-02].	1 Kit	184.00
P	94-178-22	1/4" [6 mm] barb, brass elbow w/check valve, kit of 50 [84-033-11].	1 Kit	389.00
Q	94-178-23	1/4" [6 mm] barb, brass tee w/check valve, kit of 50 [84-078-11].	1 Kit	451.00
R	94-178-02	1/4" [6 mm] barb, elbow w/o check valve, kit of 50 [84-042-06].	1 Kit	64.50
S	94-057-00	Muffler Kit: plastic, kit of 50 [84-080-00], silencer to fit on exhaust port.	1 Kit	172.00

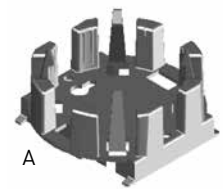
SHURFLO® QUICK DISCONNECT CLIPS

PART NO	DESCRIPTION	CASE QTY	LIST PRICE
94-359-10	For general beverage, yellow clip pumps, kit of 100 liquid clips and 50 gas clips.	1 Kit	\$66.70
94-359-50	For red clip pumps, kit of 100 liquid clips and 50 gas clips.	1 Kit	66.70



SHURFLO BIB PUMP SLIDE RACK/TRACK ACCESSORIES

PART NO	DESCRIPTION	CASE QTY	LIST PRICE
A 94-753-00	P-Mounting Bracket: kit of 48, provides small footprint for pump installations (21-1490-00).	1 Kit	\$196.00
B 94-467-00	Snap Fit Baseplate: kit of 48, (21-1215-01).	1 Kit	126.00
C 22-243-01	3 Pump Track: for snap fit baseplates, 16.5" [42.0 cm] long.	N/A	21.80
C 22-243-03	Track: for snap fit baseplates, 18.5" [49.0 cm] long.	N/A	23.90
C 22-243-04	4 Pump Track: for snap fit baseplates, 24" [61 cm] long.	N/A	26.90
C 22-243-05	5 Pump Track: for snap fit baseplates, 30.5" [77.0 cm] long.	N/A	34.90
C 22-243-06	6 Pump Track: for snap fit baseplates, 36.5" [93.0 cm] long.	N/A	36.20



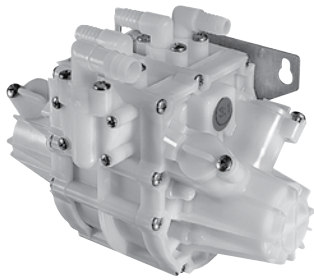
A



B



C



SHURFLO® BRIX PUMPS

The Shurflo Brix Pump is a unique syrup- and water-driven proportioning pump. It eliminates the brix adjustments with a set portion delivery, ensuring a consistent, repeatable ratio on every beverage. The particular ratio is determined by the pump design and is precisely maintained, independent of system flow or pressure changes. The brix proportioning pump is driven by pressurized water, allowing the water and product to be delivered at an exact ratio. The pump operates whenever there is a difference in pressure between the inlet and outlet (water) sides of the pump. The Shurflo Brix Pump is equipped with a vacuum shutoff. This feature is designed to automatically stop the pump when the Bag-in-Box (BIB) container is

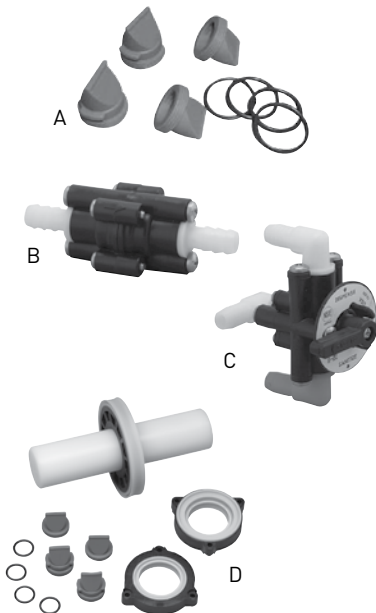
completely evacuated by closing off the inlet water to the pump. When a new BIB container is installed, the pump will automatically resume operation without priming the system. When your customer demands a quality beverage, you are assured that the Shurflo Brix Pump will deliver accurate, repeatable brix without the need for an expensive metering device.

- Sold out feature
- Metal mounting bracket
- 3-way sanitizing valve
- Fittings: syrup in/syrup out – 3/8" [10 mm] barb elbow, white or black celcon; water in/water out – 3/8" [10 mm] barb elbow, stainless steel

PART NO	DESCRIPTION	CASE QTY	LIST PRICE
94-260-01	White, 3:1 ratio	8	\$346.00
94-260-03	White, 4:1 ratio	8	346.00
94-260-05	White, 5:1 ratio	8	346.00
94-260-07	White, 7.7:1 ratio	8	346.00
94-260-12	White, 9:1 ratio	8	346.00

NOTE: Maximum water inlet pressure 50 PSI [3.45 bar].

Pentair recommends using a 30 or 50 PSI [2.07 or 3.45 bar] Shurflo Water Pressure Reducer Valve on the water inlet of the brix pump. See page 18 for Shurflo Water Pressure Reducer Valves.



SHURFLO BRIX ACCESSORIES & KITS

PART NO	DESCRIPTION	CASE QTY	LIST PRICE	
A	94-402-02	Valve Kit: Brix II	1	\$18.30
B	84-010-00	Reverse Flow Inhibitor: with 3/8" [10 mm] barb fittings.	25	20.90
C	94-056-00*	3-Way Sanitizing Valve: with 3/8" [10 mm] barb elbow fittings .	25	38.60
D	94-433-00	Brix Pump Rebuild/Conversion Kit: 6:1 ratio.	1	163.00
D	94-433-01	Brix Pump Rebuild/Conversion Kit: 5:1 ratio.	1	163.00

*Stainless steel fitting, CY84-044-11, 3/8" [10 mm] elbow on the outlet port of the sanitizing valve.



SHURFLO® ELECTRIC BEVERAGE PUMP SYSTEM

The Shurflo Electric Beverage Pump System is designed to deliver liquid at a range of flow and pressure. Products such as a Bag-In-Box (BIB) or non-pressurized systems are a fit for this pump. The pump will run automatically or until the valve is closed within the system. The automatic reset button indicates when the pump or system is primed and pressurized at an accurate level for consistent fluid delivery.

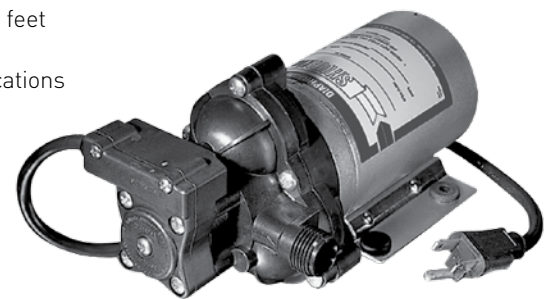
- Features Shurflo 8010 Series Low Voltage Pump, 60 PSI [4.14 bar] shutoff
- Approvals: NSF-listed, UL/CSA-recognized components
- Ports: 3/8" [10 mm] barb
- Mounting board
- Flow up to 0.95 gpm [3.60 Lpm]

PART NO	DESCRIPTION	CASE QTY	LIST PRICE
94-437-00	8010-252-736 100/240 VAC Pump, 24 VAC/VDC, w/switching power supply transformer, 60 PSI [4.14 bar], 0.95 gpm [3.60 Lpm] at open flow, 3/8" [10 mm] barb fittings.	1	\$380.00
94-437-01	3/8" [10 mm] barb, 60 PSI [4.14 bar], 1.25 gpm [4.70 Lpm] open flow. 100-240 VAC 50/60 Hz, 120 Watt power supply, 24 VDC 5.0 Amps, US, Australia/New Zealand Plug (IEC320/C13 female power cord adapter); additional cords for Europe available. 3.9' [1.2 m] power cord and 3.2' [1.0 m] low voltage cord with AMP connector; UL, CUL, CE, and C-Tick recognized with 8025-897-338, 24 VDC pump.	1	462.40

SHURFLO TRANSFER PUMPS

Shurflo 2088 Series Transfer Pumps are high-flow, low-pressure pumps ideally suited for beverage and water applications such as city water pressure boost, portable cart water delivery, batch and transfer of product. These pumps activate automatically as line pressure drops and shut off when a preset pressure is achieved.

- Self-priming up to 12.0 vertical lift feet [3.7 m]
- Used in delivery and transfer applications up to 3.3 gpm [12.5 Lpm]
- NSF-listed, UL/CSA-recognized components
- Built-in check valve (may vary by model) prevents back flow of fluid
- Automatic turn on/shutoff
- Can run dry without damage



PART NO	DESCRIPTION	CASE QTY	LIST PRICE
2088-594-154	115 VAC, 45 PSI [3.10 bar] shutoff, 3.3 gpm [12.5 Lpm] open flow, 1/2"-14 male parallel thread, non-corded, UL-recognized.	6	\$190.00
2088-594-144	115 VAC, 45 PSI [3.10 bar] shutoff, 3.3 gpm [12.5 Lpm] open flow, 1/2"-14 male parallel thread, corded, UL-listed.	6	246.00
2088-564-144	230 V, 45 PSI [3.10 bar] shutoff, 3.3 gpm [12.5 Lpm] open flow, 1/2"-14 male parallel thread, non-corded, UL-recognized.	6	211.00



SHURFLO® STANDARD WATER BOOST PUMPS

Shurflo 8025 (Non-Carbonated) Water Boost Pumps are designed for water delivery applications where low or fluctuating water pressure to the dispenser valve may result in an improperly brixed beverage. The booster pump maintains consistent water pressure at the valve(s), resulting in a quality beverage. The pump permits the operation of flow control valve(s); either one fast flow [2.50 oz/sec.] [0.07 L/sec.] or two standard flow [1.25 oz/sec.] [0.04 L/sec.]

- Application: water delivery
- Core pump model: Shurflo 8025 Series
- Positive displacement, 3 chamber diaphragm pump
- NSF/UL/CSA-listed
- Self-priming; pump can run dry without damage
- Ports: 3/8" -18 NPT female
- Electric cord
- Base plate
- Designed with integrated double check valves

PART NO	DESCRIPTION	CASE QTY	LIST PRICE
8025-213-236	115 VAC, 60 PSI [4.14 bar], 1.5 gpm [5.7 Lpm] open flow, 3/8"-18 NPT female ports, corded pump.	6	\$215.00
8025-933-289	115 VAC, 95 PSI [6.55 bar], 1.7 gpm [6.4 Lpm] open flow, 3/8"-18 NPT female ports, corded pump.	6	237.00
8025-933-399	115 VAC, 90 PSI [6.21 bar], 1.6 gpm [6.1 Lpm] open flow, 3/8" [10 mm] and 1/2" [13 mm] fittings available, corded pump. Replacement pump for Water Boosters 804-002, 804-023-SV, 804-023, 804-026, 804-037, 804-126, 804-323, WB2-LVPO-01, 804-423, 804-425, WB2-HYD, 804-426. For fittings see page 6 (fittings not included).	6	229.00
8095-942-349	230 VAC, 90 PSI [6.21 bar], 1.5 gpm [5.7 Lpm] open flow, 3/8" [10 mm] and 1/2" [13 mm] fittings available, non-corded pump. Replacement pump for Water Boosters 804-029, 804-036, 804-038. For fittings see page 6 (fittings not included).	6	367.00
8025-933-237	115 VAC, 60 PSI [4.14 bar] shutoff, 1.9 gpm [7.2 Lpm], 3/8" [10 mm] and 1/2" [13 mm] fittings available, corded pump. Replacement pump for Water Boost System 804-001. For fittings see page 6 (fittings not included).	6	247.00
8095-903-249	230 VAC, 90 PSI [6.21 bar] shutoff, 1.8 gpm [6.8 Lpm], 3/8" [10 mm] and 1/2" [13 mm] fittings available, non-corded pump. Replacement pump for Water Boost System 804-021. For fittings see page 6 (fittings not included).	6	372.00
8025-833-336	115 VAC, 60 PSI [4.14 bar], 1.5 gpm [5.7 Lpm] open flow, Shurflo snap fit. Replacement pump for 804-066 Water Boost (fittings not included).	6	308.00
8025-998-338	24 VDC, 90 PSI [6.21 bar], 1.25 gpm [4.70 Lpm] open flow, Shurflo snap fit I/O. Replacement pump for 804-034, 804-042, 804-067, 804-068 and WB2-LVPO-02 Water Boost (fittings not included).	6	249.05
8025-897-338	24 VDC, 60 PSI [6.21 bar], 1.25 gpm [4.70 Lpm] open flow, 1/2"-14 NST (Straight thread). Replacement pump for Electric Beverage Delivery System.	6	246.50

SHURFLO 24 VDC REPLACEMENT POWER SUPPLY

PART NO	DESCRIPTION	CASE QTY	LIST PRICE
94-60-047	100-240 VAC 50/60 Hz, 120 Watt, 24 VDC 5.0 Amps, US, Australia/New Zealand Plug (IEC320/C13 female power cord adapter); additional cords for Europe available. 3.9' [1.2 m] power cord and 3.2' [1.0 m] low voltage cord with AMP connector; UL, CUL, CE, and C-Tick recognized.	1	\$171.00

SHURFLO® WATER BOOST PUMP KIT

Shurflo Water Boost Pump Kit is designed for use with a separate storage tank.

- Increases flow and pressure to carbonated and non-carbonated soda valves for consistent beverage quality
- Maximizes filter life when used as part of a filtration system
- Self-priming to 8.0 feet [2.4 m]
- Can run dry without damage
- 24 VDC power for safety and long life
- UL, CUL, CE, and C-Tick recognized

PART NO	DESCRIPTION	CASE QTY	LIST PRICE
94-189-00	24 VDC 60 PSI [4.14 bar], 1/2"-14 NST (straight thread) connections for use with separate accumulator tank. 100-240 VAC 50/60 Hz, 120 Watt power supply, 24 VDC 5.0 Amps output, NEMA 5-15 US, Australia/New Zealand Plug (IEC320/C13 female power cord adapter); UL, CUL, CE, and C-Tick recognized.	1	\$335.00



SHURFLO DELIVERY PUMPS

Shurflo 8000 Series Delivery Pumps are ideal for applications that require high pressure with flow rates up to 1.7 gpm [6.4 Lpm] with low amp draw. They can be mounted in any position, are compact and designed for long, trouble-free life. Spherically-shaped valves and diaphragms are available in a variety of materials to meet a wide range of applications.

- Self-priming up to 8.0 vertical feet [2.4 m]
- Can run dry without damage
- Flow up to 1.7 gpm [6.4 Lpm]
- Pressures up to 150 PSI [10.34 bar] available
- NSF/CSA-listed, UL-recognized

PART NO	DESCRIPTION	CASE QTY	LIST PRICE
8005-733-155	115 VAC, 60 PSI [4.14 bar], 45 PSI [3.10 bar] bypass, 1.5 gpm [5.7 Lpm] open flow, 1/2"-14 male parallel thread, non-corded.	6	\$182.00
8005-733-255-BW	115 VAC, 60 PSI [4.14 bar], 45 PSI [3.10 bar] bypass, 1.5 gpm [5.7 Lpm] open flow, 3/8"-18 NPT female ports, non-corded.	6	181.00
8010-252-736	24 VAC, 60 PSI [4.14 bar], 0.95 gpm [3.60 Lpm] open flow, 1/2" [13 mm] male parallel thread, non-corded.	6	152.00
8005-233-236	115 VAC, 60 PSI [4.14 bar] demand switch, no bypass, 1.5 gpm [5.7 Lpm] open flow, 3/8"-18 NPT female ports, non-corded.	6	165.00
8025-733-256	115 VAC, 60 PSI [4.14 bar], 45 PSI [3.10 bar] bypass, 1.7 gpm [6.4 Lpm] open flow, 3/8"-18 NPT female ports, corded pump.	6	229.00
8025-213-256	115 VAC, 60 PSI [4.14 bar], 45 PSI [3.10 bar] bypass, 1.4 gpm [5.3 Lpm] open flow, 3/8"-18 NPT female ports, corded pump.	6	318.00

SHURFLO® CARBONATOR PUMPS



Shurflo 8005 Series Carbonator Pumps have the same features as 8025 Series Water Boost Pumps, including the run-dry capability which is so critical to carbonator pump reliability. Pumps are sized for small to medium carbonators.

- Core pump model – Shurflo 8005 Series
- Positive displacement, 3 chamber diaphragm pump
- NSF/UL/CSA-listed
- Self-priming; can run dry without damage
- Ports: 3/8" -18 NPT female
- Ground wires
- Base plate

PART NO	DESCRIPTION	CASE QTY	LIST PRICE
8005-932-260	115 VAC, 100 PSI [6.89 bar] bypass, 1.5 gpm [5.7 Lpm] open flow, 3/8"-18 NPT female ports, no shutoff switch, non-corded pump.	6	\$163.00
8095-902-260	230 VAC, 100 PSI [6.89 bar] bypass, 1.5 gpm [5.7 Lpm] open flow, 3/8"-18 NPT female ports, no shutoff switch, non-corded pump.	6	199.00
8095-902-290	230 VAC, 100 PSI [6.89 bar] bypass, 1.5 gpm [5.7 Lpm] open flow, no shutoff switch, no motor baseplate, non-corded pump.	6	124.00
8090-791-260	24 VAC, 100 PSI [6.89 bar] bypass, 0.7 gpm [2.6 Lpm] open flow, 3/8"-18 NPT female ports, no shutoff switch, non-corded pump.	6	375.00
8095-951-269	230 VAC, 100 PSI [6.89 bar] bypass, 1.0 gpm [3.8 Lpm] open flow, 3/8"-18 NPT female ports, no shutoff switch, non-corded pump.	6	150.00
8095-951-299	230 VAC CE Compliant, 100 PSI [6.89 bar] bypass, 1.0 gpm [3.8 Lpm] open flow, 3/8"-18 NPT female ports, no shutoff switch, non-corded pump.	6	180.00

SHURFLO SOLD OUT SWITCHES (SOS)

Shurflo Sold Out Switches (SOS) prevent the dispensing of carbonated water without syrup by stopping water flow at the dispenser valve – a particularly useful feature for clear sodas. The SOS senses the pressure drop in the syrup line caused by an empty Bag-in-Box (BIB) and shuts off power to the valve's electric solenoid. The SOS automatically resets with the installation of a full BIB.



A

PART NO	DESCRIPTION	CASE QTY	LIST PRICE
A 94-068-01	8-30 PSI [0.55-2.10 bar] adjustment range, 1/4" [6 mm] stainless steel tee barb, 48" [122 cm] wiring cables and LED "sold-out" light – 24 VAC.	50	\$91.70
A 94-068-20	8-30 PSI [0.55-2.10 bar] adjustment range, 3/8" [10 mm] stainless steel tee barb, extra long 78" [198 cm] wiring cables and LED "sold-out" light – 24 VAC.	50	157.00
B 94-068-31	Mini-Micro, 15-20 PSI [1.0-1.4 bar] adjustment range, 1/4" [6 mm] stainless steel tee barb, 48" [122 cm] wiring cables and LED light – 24 VAC.	N/A	157.00
B 94-068-33	Mini-Micro, 25-60 PSI [1.7-4.1 bar] adjustment range, 1/4" [6 mm] stainless steel tee barb, 48" [122 cm] wiring cables.	10	89.70

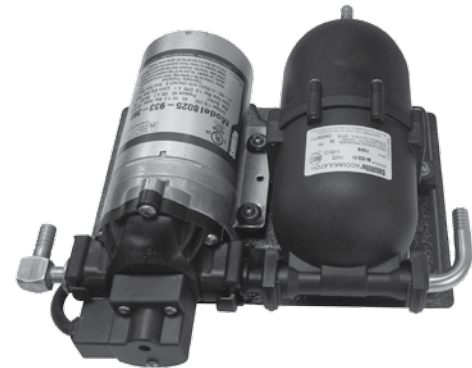


B

SHURFLO® MINI WATER BOOST SYSTEMS

The increased popularity of non-carbonated beverages and the inconsistency of city water pressure and flow often lead to the need for a Water Boost System to deliver quality beverages in many installations. Shurflo Water Boost Systems are designed for applications where low, fluctuating, or no water pressure exists. The pump and accumulator tank maintain consistent water pressure to one or more dispensing valves or faucets.

- Feature reliable Shurflo 8025 and 8095 Series Pumps
- Pumps and tanks are NSF/UL/CSA-listed
- Can run dry without damage
- Self-priming up to 8.0 vertical feet [2.4 m]



PART NO	DESCRIPTION	CASE QTY	LIST PRICE
804-001	115 VAC, 60 PSI [4.14 bar] shutoff, 21 oz [621 ml] Shurflo Tank, 1/4" [6 mm] and 3/8" [10 mm] stainless steel barb fittings, 8025-933-237 corded pump.	1	\$372.00
804-002	115 VAC, 90 PSI [6.21 bar] shutoff, 21 oz [621 ml] Shurflo Tank, 3/8" [10 mm] stainless steel barb fittings, 8025-933-399 corded pump.	1	352.00
804-021	230 VAC, 90 PSI [6.21 bar] shutoff, 21 oz [621 ml] Shurflo Tank, 3/8" [10 mm] stainless steel barb fittings, 8095-903-249 non-corded pump.	1	404.00
804-042	3/8" barb, [10 mm], 90 PSI [6.21 bar] shutoff, 21 oz [621 ml] Shurflo Tank; 100-240 VAC 50/60 Hz, 120 Watt, 24 VDC 5.0 Amps, US, Australia/New Zealand Plug (IEC320/C13 female power cord adapter); additional cords for Europe available. 3.9' [1.2 m] power cord and 3.2' [1.0 m] low voltage cord with AMP connector; UL, CUL, CE, C-Tick, TÜV/GS, PSE and EK recognized. 8025-998-338 pump.	1	433.50

SHURFLO MEDIUM ELECTRIC WATER BOOST SYSTEMS

Shurflo Water Boost Systems are designed for applications where low, fluctuating, or no water pressure exists. The pump and accumulator tank maintain consistent water pressure to one or more dispensing valves or faucets.

- Features reliable Shurflo 8025 and 8095 Series Pumps
- Pumps and tanks are NSF/UL/CSA-listed
- Can run dry without damage
- Self-priming up to 8.0 vertical feet [2.4 m]
- Replacement bladder design



PART NO	DESCRIPTION	CASE QTY	LIST PRICE
804-023	115 VAC, 90 PSI [6.21 bar] shutoff, 2.0 gallon [7.6 L] stainless steel Shurflo Tank w/replaceable bladder; inlet/outlet - 3/8" [10 mm] stainless steel barb fittings, 8025-933-399 corded pump.	1	\$596.00
804-029	230 VAC, 90 PSI [6.21 bar] shutoff, 2.0 gallon [7.6 L] stainless steel Shurflo Tank w/replaceable bladder; inlet/outlet - 3/8" [10 mm] stainless steel barb fittings, 8095-942-349 non-corded pump.	1	628.00
804-066	115 VAC, 60 PSI [4.14 bar] shutoff, 2.0 gallon [7.6 L] stainless steel Shurflo Tank w/replaceable bladder; inlet/outlet - 3/8" [10 mm] stainless steel barb fittings, 8025-833-336 corded pump.	1	596.00
804-034	3/8" barb, [10 mm], 90 PSI [6.21 bar] shutoff, 2.0 gallon [7.6 L] stainless steel Shurflo Tank w/replaceable bladder; 100-240 VAC 50/60 Hz, 120 Watt, 24 VDC 5.0 Amps, US, Australia/New Zealand Plug (IEC320/C13 female power cord adapter); additional cords for Europe available. 3.9' [1.2 m] power cord and 3.2' [1.0 m] low voltage cord with AMP connector; UL, CUL, CE, C-Tick, TÜV/GS, PSE and EK recognized. 8025-998-338 pump.	1	671.50



SHURFLO® MAXI WATER BOOST SYSTEMS

Shurflo Maxi Water Boost Systems are ideal for applications where low, fluctuating, or no water pressure exists. The pump and accumulator tank maintain consistent water pressure to one or more dispensing valves or faucets.

- Feature reliable Shurflo 8025 and 8095 Series Pumps
- Pumps and tanks are NSF/UL/CSA-listed
- Can run dry without damage
- Self-priming up to 8.0 vertical feet [2.4 m]
- Replacement bladder design

PART NO	DESCRIPTION	CASE QTY	LIST PRICE
804-037	115 VAC, 90 PSI [6.21 bar] shutoff, 6.0 gallon [22.7 L] stainless steel Shurflo Tank; inlet/outlet – 3/8" [10 mm] stainless steel barb fittings, 8025-933-399 corded pump.	1	\$808.00
804-038	230 VAC, 90 PSI [6.21 bar] shutoff, 6.0 gallon [22.7 L] stainless steel Shurflo Tank; inlet/outlet – 3/8" [10 mm] stainless steel barb fittings, 8095-942-349 non-corded pump.	1	867.00
804-026	115 VAC, 90 PSI [6.21 bar] shutoff, 6.0 gallon [22.7 L] stainless steel Shurflo Tank; inlet/outlet – 1/2" [13 mm] stainless steel barb fittings, 8025-933-399 corded pump.	1	814.00
804-036	230 VAC, 90 PSI [6.21 bar] shutoff, 6.0 gallon [22.7 L] stainless steel Shurflo Tank; inlet/outlet – 1/2" [13 mm] stainless steel barb fittings, 8095-942-349 non-corded pump.	1	847.00
804-067	3/4" [19 mm], NPT I/O to 1/2" [13 mm] barb fittings, 90 PSI [6.21 bar] shutoff, 6.0 gallon [22.7 L] Shurflo Tank w/replaceable bladder; 100-240 VAC 50/60 Hz, 120 Watt, 24 VDC 5.0 Amps, US, Australia/New Zealand Plug (IEC320/C13 female power cord adapter); additional cords for Europe available. 3.9' [1.2 m] power cord and 3.2' [1.0 m] low voltage cord with AMP connector; UL, CUL, CE, C-Tick, TÜV/GS, PSE and EK recognized. 8025-998-338 pump.	1	969.00
804-068	1/2" [13 mm] barb fittings, 90 PSI [6.21 bar] shutoff, 6.0 gallon [22.7 L] Shurflo Tank w/replaceable bladder; 100-240 VAC 50/60 Hz, 120 Watt, 24 VDC 5.0 Amps, US, Australia/New Zealand Plug (IEC320/C13 female power cord adapter); additional cords for Europe available. 3.9' [1.2 m] power cord and 3.2' [1.0 m] low voltage cord with AMP connector; UL, CUL, CE, C-Tick, TÜV/GS, PSE and EK recognized. 8025-998-338 pump.	1	935.00

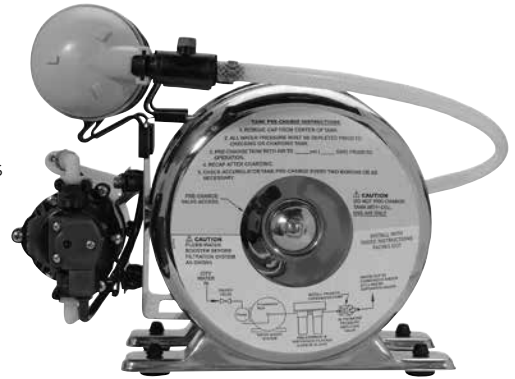
SHURFLO® LVPO WATER BOOST FILTRATION SYSTEMS

The Shurflo LVPO (Low Volume per Outlet) Water Boost Filtration Sanitary Cartridge System is a complete, turnkey solution which provides perfect ingredient water to the fountain dispenser. Designed specifically for single dispensers which serve up to 1,000 gallons [3,785 L] of syrup per year. In addition, the filter housing features quick-connect ports and Shurloc™ valve fittings (color coded to identify inlet/outlet filter connections) to allow for filter mounting in any orientation while minimizing leak points, and for ease of serviceability.

- Compact design provides boosted, filtered water to the fountain system and

treated, non-boosted water to the ice machine

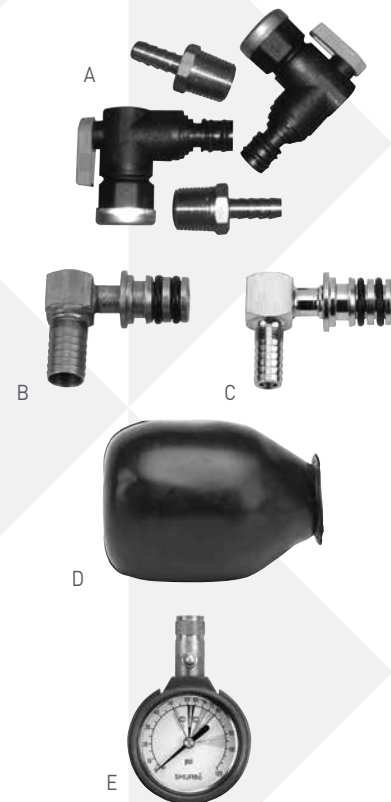
- Specifically designed for low syrup volume accounts
- Low pressure drop (less than 12 PSI [0.83 bar] at 3.0 gpm [11.4 Lpm]) helps keep consistent brix ratio
- Proprietary filter media with gradient depth and radial flow design promotes maximum filter life
- Eliminates carbon fine buildup in soda valves
- Improved water quality for great tasting beverages
- Shurloc quick-connect fittings



PART NO	DESCRIPTION	CASE QTY	LIST PRICE
WB2-LVPO-01	115 VAC, 90 PSI [6.21 bar], 2.0 gallon [7.6 L] stainless steel Shurflo Tank; inlet/outlet - 3/8" [10 mm] stainless steel barb fittings, 5 micron carbon block media for chlorine taste & odor reduction, NSF-listed, 2 x Shurloc ball valves w/double O-rings, 1 x Shurloc bypass, filter mounting brackets, 8025-933-399 corded pump, F1 filter is for Fountain.	1	\$826.00
WB2-LVPO-02	With LVPO filter 3/8" barb, [10 mm], 90 PSI [6.21 bar] shutoff, 2.0 gallon [7.6 L] Shurflo Tank w/replaceable bladder; 100-240 VAC 50/60 Hz, 120 Watt, 24 VDC 5.0 Amps, US, Australia/New Zealand Plug [IEC320/C13 female power cord adapter]; additional cords for Europe available. 3.9' [1.2 m] power cord and 3.2' [1.0 m] low voltage cord with AMP connector; UL, CUL, CE, C-Tick, TÜV/GS, PSE and EK recognized. 8025-998-338 pump.	1	873.80
94-399-00	Replacement Filter: LVPO F1 Cartridge	12	103.00

SHURFLO WATER BOOST ACCESSORIES

The Shurloc Shutoff Ball Valves in pump ports facilitate conducting water boost precharge maintenance as well as filter replacement and any other equipment maintenance downstream of the water booster.



PART NO	DESCRIPTION	CASE QTY	LIST PRICE
A 94-897-00-SS	Shurloc quick-connect swivel ball valves and stainless steel fittings kit includes: (1 grey and 1 blue), 1/2" [13 mm] NPTF quick-connect swivel ball valves, (2) 3/8" [10 mm] stainless steel barb x 1/2" [13 mm] NPTM.	10	\$91.00
A 94-897-01-SS	Shurloc quick-connect swivel ball valves and stainless steel fittings kit includes: (1 grey and 1 blue), 1/2" [13 mm] NPTF quick-connect swivel ball valves, (2) 1/2" [13 mm] stainless steel barb x 1/2" [13 mm] NPTM.	10	91.00
B 84-306-02	Shurloc quick-connect, stainless steel elbow fittings w/ 1/2" [13 mm] barb.	10	24.50
C 84-1194-00	Shurloc quick-connect, stainless steel elbow fittings w/ 3/8" [10 mm] barb.	10	24.50
D 94-697-00	Replacement Bladder for Water Boost Systems.	25	60.20
- 94-760-00*	Inline Pressure Gauge: 3/8" barb.	10	56.10
E 12-130-00	Air pressure gauge used to check air pressure of systems.	1	29.40

*Not shown.

EVERPURE® SIMPLIFLOW® WATER MANAGEMENT SYSTEMS

The Everpure SimpliFlow Systems rescue your back room from the typical tangled mess of water lines that worsen as your water needs grow and change. These adaptable, simple-to-use beverage line management manifold systems provide quick and easy identification of water lines, and help you organize and manage fluid movement throughout your store.

- Organize back room water lines
- Manage water by varying quality profiles and application
- Easy to install
- Compact footprint
- Easily identify water lines using stickers included with each manifold

- Multiple connection options available
- Inlet can be oriented from left, right or bottom of manifold
- Flexible manifold can be rotated 90 degrees within bracket to allow for elbow connections



Single Standard Manifold

- Single manifold with three (3) inlets and six (6) outlets
- Manages one water quality



Single Split Manifold

- Split manifold provides three (3) valves on each side
- Allows for two different water qualities



Twin Standard Manifold

- Two (2) manifolds for a total of six (6) inlets, and up to 12 valve outlets
- Allows for two different water qualities



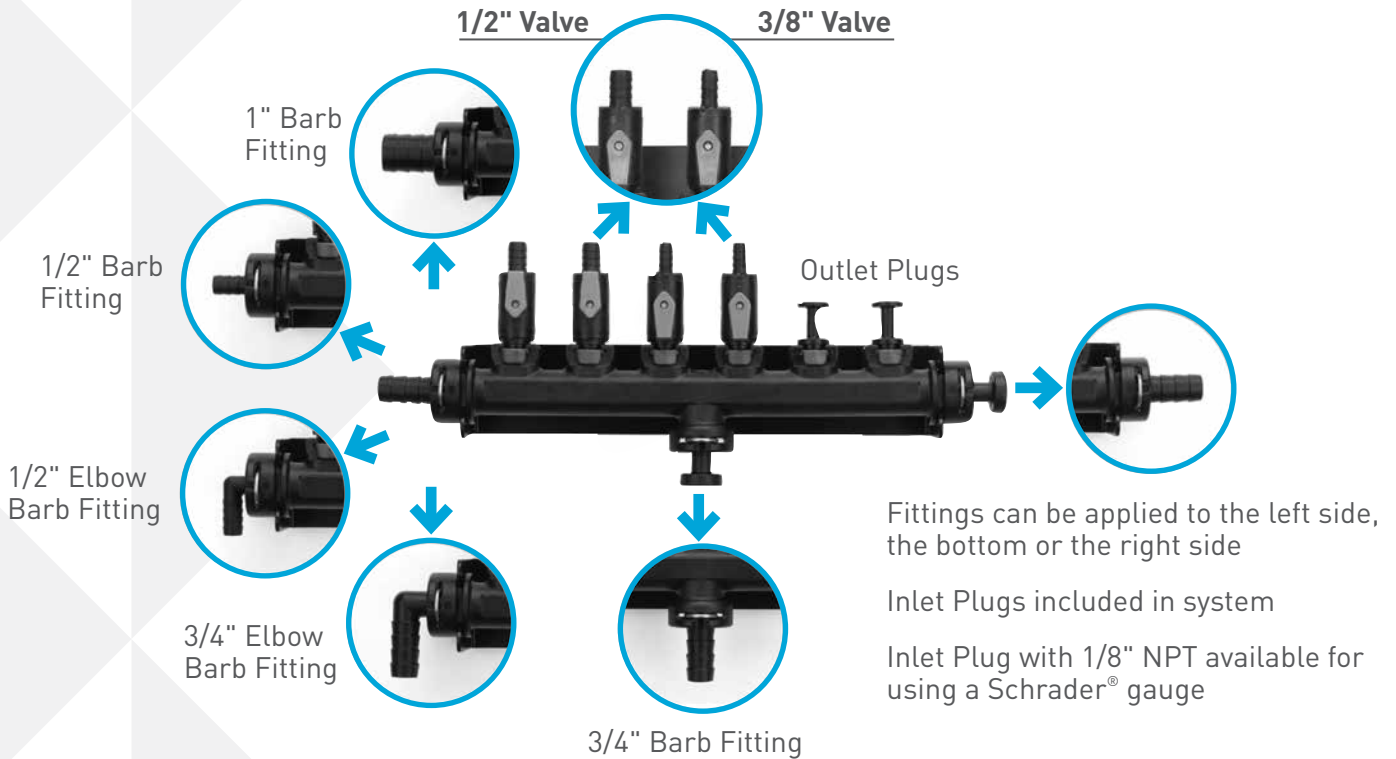
Quad Standard Manifold

- Four (4) manifolds for a total of 12 inlet options, and up to 24 valve outlets
- Allows for four different water qualities

PART NO	TYPE	DESCRIPTION	CASE QTY	LIST PRICE
EV9961-00	System	Single Bank: 6 (six) outlets	1	\$181.05
EV9961-50	System	Single Bank: Split Manifold: 3 (three) outlets per side	1	198.90
EV9962-00	System	Twin Bank: 12 outlets	1	328.10
EV9964-00	System	Quad Bank: 24 outlets	1	640.05
EV3135-34	Inlet Connection	Barb Fitting: 1/2" [13 mm]	1	10.03
EV3135-35	Inlet Connection	Barb Elbow: 1/2" [13 mm]	1	18.19
EV3135-50	Inlet Connection	Barb Fitting: 3/4" [19.05 mm]	1	10.80
EV3135-89	Inlet Connection	Barb Fitting: 1" [25.4 mm]	1	12.84
EV3136-00	Inlet Connection	Barb Elbow: 3/4" [19.05 mm]	1	19.21
EV3135-48	Inlet Plug	Plug	1	11.65
EV3137-16	Inlet Plug	Inlet Plug: w/ 1/8" [1.59 mm] NPT	1	20.83
EV3135-49	Outlet Plug	Plug: 1/2" [13 mm]	1	9.86
EV3135-52	Outlet Valve	Ball Valve: 1/2" [13 mm] barb	1	29.07
EV3136-09	Outlet Valve	Ball Valve: 3/8" [10 mm] barb	1	29.07

Customize the system to your unique needs

- Multiple options for fittings and valves so you can configure to whatever your stores require
- Quick-connect valves for fast change-out as your needs evolve
- Plugs can quickly be changed to valves should you add new equipment



Single Split Manifold

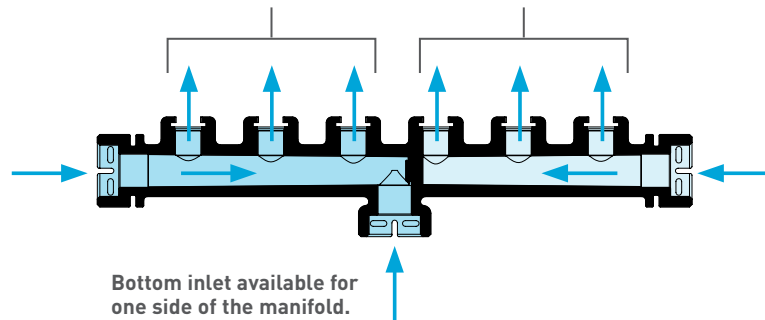
Manage two water qualities in a single manifold. Ideal for tight spaces or where only a few water line connections are required.

Left three (3) valves provide one water type, examples include:

- Filtered fountain water
- Filtered water for iced tea concentrate

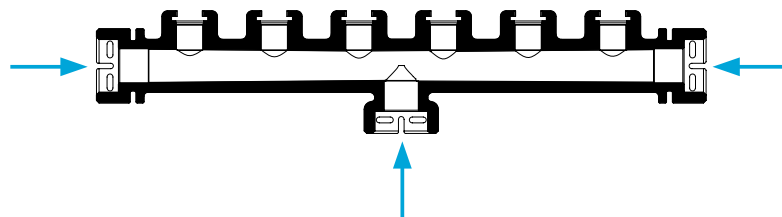
Right three (3) valves provide a different water type, examples include:

- Filtered water with scale inhibitor for ice or coffee
- Reverse osmosis water for coffee, steam or espresso
- Softened water for steam or espresso



Single Manifold

Six (6) valves and three (3) inlet water options. Plugs are provided for the two (2) inlets not in use.



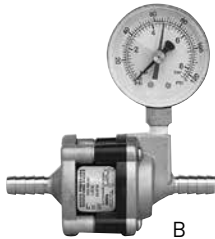
SHURFLO® WATER PRESSURE REDUCER VALVES (WPRV)

Shurflo Water Pressure Reducer Valves are fixed pressure, water-reducing devices (non-adjustable). The WPRV minimizes incoming water pressure fluctuations while

guarding against pressure spikes. Actual pressure reduction is dependent upon input pressure and outlet flow rate.



A



B



C



PART NO	DESCRIPTION	CASE QTY	LIST PRICE
A 183-130-SS	30 PSI [2.1 bar], inlet/outlet, 3/8" [10 mm] barb, stainless steel fittings.	30	\$38.30
B 183-150-PG	50 PSI [3.4 bar], inlet/outlet, 3/8" [10 mm] barb, stainless steel fittings, stainless steel body and pressure gauge with follower.	6	85.80
A 183-150-SS	50 PSI [3.4 bar], inlet/outlet, 3/8" [10 mm] barb, stainless steel fittings.	30	38.30
C 183-150-01	50 PSI [3.4 bar], inlet/outlet, 3/8" [10 mm] barb, stainless steel fittings, stainless steel body.	30	56.30
A 183-165-SS	65 PSI [4.5 bar], inlet/outlet, 3/8" [10 mm] barb, stainless steel fittings.	30	38.30
C 183-165-01	65 PSI [4.5 bar], inlet/outlet, 3/8" [10 mm] barb, stainless steel fittings, stainless steel body	30	56.30
B 183-165-02	65 PSI [4.5 bar], inlet/outlet, 3/8" [10 mm] barb, stainless steel fittings, stainless steel body and pressure gauge with follower.	6	85.80
A 183-180-SS	80 PSI [5.5 bar], inlet/outlet, 3/8" [10 mm] barb, stainless steel fittings.	30	38.30
C 183-180-01	80 PSI [5.5 bar], inlet/outlet, 3/8" [10 mm] barb, stainless steel fittings, stainless steel body.	30	56.30
B 183-180-02	80 PSI [5.5 bar], inlet/outlet, 3/8" [10 mm] barb, stainless steel fittings, stainless steel body and pressure gauge with follower.	6	85.80

SHURFLO ACCUMULATOR TANKS

PART NO	DESCRIPTION	CASE QTY	LIST PRICE
181-201	21 oz [621 ml], includes mounting bracket, nylon housing, butyl diaphragm, 1/2" [13 mm] NPT-female, NSF-listed, 125 PSI [8.6 bar] maximum operating pressure.	12	\$56.61
181-400	21 oz [621 ml], includes mounting bracket, nylon housing, butyl diaphragm, quick disconnect ports that utilize Bag-in-Box (BIB) pump liquid fittings, NSF-listed, 125 PSI [8.6 bar] maximum operating pressure. Fittings not included. Utilizes standard BIB pump liquid inlet/outlet fittings. [See page 6 for fitting options.]	12	57.90

ELTEK® WATER BLOCK

- Overflow safety device for coffee brewers, coolers, chillers, heaters, vending machines, ice machines and more
- Automatically shuts off if preset volume is exceeded
- Automatically resets if water volume preset is not exceeded
- Ten-position dial sets maximum flow volume
- No external energy source required
- Not recommended for reverse osmosis (RO) or ice flaker installation as an RO system by nature can produce permeate water for long periods of time which will unnecessarily trip the Water Block



D



E



F

PART NO	DESCRIPTION	PACK QTY	LIST PRICE EA
D EV9503-00	Water Block	200	\$56.53
D EV9503-05	Water Block	25	57.97
E EV9503-20	Water Block Reset Device	200	32.13
E EV9503-25	Water Block Reset Device	25	32.90
- EV3138-61	Adaptor: 3/4" male garden hose (both ends), black	1	2.72
F EV3118-40	Wall Mount Clip: black	1	3.32

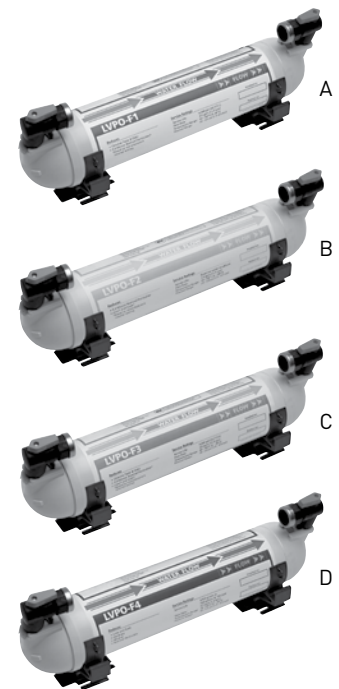
SHURFLO® LVPO FILTRATION SYSTEMS

The Shurflo LVPO (Low Volume per Outlet) System is an in-line filter designed specifically for single dispensers which serve up to 1,000 gallons [3,785 L] of syrup per year. The filter housing's quick-connect ports and Shurloc™ valve fittings (color coded to identify inlet/outlet filter connections) allow for mounting the filter in any orientation while minimizing leak points and offering ease of serviceability. In summary, the LVPO's superior performance, flexibility and serviceability make it a truly exceptional and unique in-line filter solution, eliminating the limitations of traditional filtration solutions used in fountain systems today.

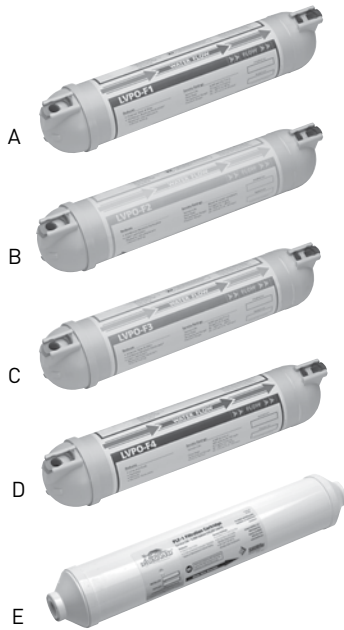
- Low cost solution to water quality issues
- Compact, flexible in-line filter design allows for horizontal or vertical mounting
- Quick-change sanitary cartridge
- Double O-ring ball valve fittings minimize leak points
- Proprietary filter media with gradient depth and radial flow design results in longer filter life
- Improves water quality for great-tasting beverages and helps maintain optimal ice machine operation
- Eliminates carbon fine buildup in valves
- Low pressure drop (~12 PSI at 3.0 gpm) [- 0.83 bar at 11.4 Lpm] helps keep consistent brix ratios



PART NO	DESCRIPTION	CASE QTY	LIST PRICE
A 94-751-00	LVPO-F1 Starter Kit: includes 5 micron nominal carbon filter, NSF 42-listed, Shurloc ball valves with 1/2" [13 mm] NPT female ports, filter brackets and filter QD-bypass, 6,000 gallon / 3.0 gpm [22,712 L / 11.4 Lpm], reduces chlorine, improves taste and odor, 5.0 micron nominal particulate reduction.	1	\$127.00
B 94-479-00	LVPO-F2 Starter Kit: includes 5 micron nominal sediment and phosphate filter, NSF 42-listed, Shurloc ball valves with 1/2" [13 mm] NPT female ports, filter brackets and filter QD-bypass, 6,000 gallon / 3.0 gpm [22,712 L / 11.4 Lpm], reduces hardness, lime and scale, mineral reduction, nominal particulate reduction. Does not reduce chlorine.	1	139.00
C 94-751-01	LVPO-F3 Starter Kit: includes 5 micron nominal carbon and phosphate filter, NSF 42-listed, Shurloc ball valves with 1/2" [13 mm] NPT female ports, filter brackets and filter QD-bypass, 6,000 gallon / 3.0 gpm [22,712 L / 11.4 Lpm], reduces chlorine, improves taste and odor, lime and scale, sediment, 5.0 micron nominal particulate reduction.	1	156.00
D 94-751-02	LVPO-F4 Starter Kit: includes in-line resin filter, Shurloc ball valves with 1/2" [13 mm] NPT female ports, filter brackets and filter QD-bypass, 0.5 gpm [1.9 Lpm], 4,400 grains, reduces hardness, lime and scale, mineral reduction, nominal particulate reduction.	1	192.00

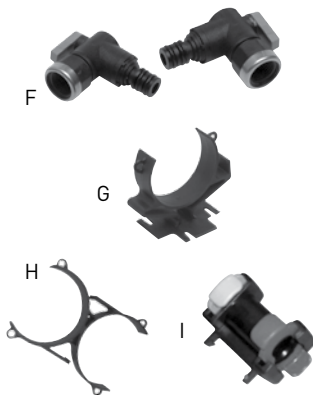


SHURFLO® LVPO REPLACEMENT FILTERS



PART NO	DESCRIPTION	CASE QTY	LIST PRICE
A 94-399-00	LVPO-F1: 12-pack, in-line, 5 micron carbon, NSF 42-listed, (flow rate – 3.0 gpm [11.4 Lpm], service life – 6,000 gallons [22,712 L]); best suited for fountain, drinking water, coffee, tea, and non-carb beverage applications; removes chlorine.	12	\$103.00
B 94-470-00	LVPO-F2: 12-pack, in-line, 5 micron sediment and phosphate filter, NSF 42-listed, (flow rate – 3.0 gpm [11.4 Lpm], service life – depends on water conditions); best suited for ice and coffee applications; does not remove chlorine.	12	115.00
C 94-470-01	LVPO-F3: 12-pack, in-line 5 micron carbon and phosphate filter, NSF 42-listed, (flow rate – 3.0 gpm [11.4 Lpm], service life – 6,000 gallons [22,712 L]); best suited for ice and coffee applications; removes chlorine.	12	120.00
D 94-470-02	LVPO-F4: 12-pack, in-line, resin filter, (flow rate – 0.5 gpm [1.9 Lpm], service life – 4,400 grains or 500 gallons [1,893 L] @ 150 PPM); best suited for espresso and tea applications.	12	171.00
E 94-729-00	PFL-1: 6-pack, in-line, 5 micron carbon, (2.0 gpm [7.6 Lpm], 5,000 gallon [18,927 L] service life); best suited for tea applications; removes chlorine.	6	68.50

FILTRATION ACCESSORIES



PART NO	DESCRIPTION	CASE QTY	LIST PRICE
F 94-471-01	Shutoff Set: Quick-connect 1/2" [13 mm] NPT Female (w/ SS ring) 90° ball valve. Note: 1 set = 1 grey handle ball valve for inlet and 1 blue handle ball valve for outlet.	50	\$85.20
- 94-472-00	LVPO Filter Bracket: for tank mount (100). Note: 1 set = 1 pair.	50 Sets	44.60
G 94-473-00	LVPO Filter Bracket: for slide track/wall mount (100). Note: 1 set = 1 pair.	50 Sets	37.50
H 94-474-00	LVPO Filter-to-Filter Bracket: (100) Note: 1 set = 1 pair.	50 Sets	45.20
I 94-475-00	LVPO Filter QD Bypass	50	43.10



WATER QUALITY SYSTEMS

EVERPURE-SHURFLO WORLD HEADQUARTERS, 1040 MUIRFIELD DRIVE, HANOVER PARK, IL 60133 USA • FOODSERVICE.PENTAIR.COM
800.942.1153 (US ONLY) • 630.307.3000 MAIN • 630.307.3030 FAX • CSEVERPURE@PENTAIR.COM EMAIL

EVERPURE-SHURFLO AUSTRALIA, 1-21 MONASH DRIVE, DANDENONG SOUTH, VIC 3175 AUSTRALIA
011.1300 576 190 TEL • 011.61.39.562.7237 FAX • AU.EVERPURE@PENTAIR.COM EMAIL

EVERPURE-SHURFLO CHINA, 21F CLOUD 9 PLAZA, NO 1118, SHANGHAI, 200052, CHINA
86.21.3211.4588 TEL • 86.21.3211.4580 FAX • CHINA.WATER@PENTAIR.COM EMAIL

EVERPURE-SHURFLO INDIA, GREEN BOULEVARD, B-9/A, 7TH FLOOR - TOWER B SECTOR 62, NOIDA - 201301
91.120.419.9444 TEL • 91.120.419.9400 FAX • INDIACUSTOMER@PENTAIR.COM EMAIL

EVERPURE-SHURFLO EUROPE, PENTAIR WATER BELGIUM BVBA, INDUSTRIEPARK WOLFSTEE, TOEKOMSTLAAN, 30 B-2200 HERENTALS, BELGIUM
+32.(0).14.283.500 TEL • +32.(0).14.283.505 FAX • SALES@EVERPURE-EUROPE.COM EMAIL

EVERPURE-SHURFLO JAPAN INC., HASHIMOTO MN BLDG. 7F, 3-25-1 HASHIMOTO, MIDORI-KU, SAGAMIHARA-SHI KANAGAWA 252-0143, JAPAN
81.(0)42.775.3011 TEL • 81.(0)42.775.3015 FAX • INFO@EVERPURE.CO.JP EMAIL

EVERPURE-SHURFLO SOUTHEAST ASIA, 390 HAVELOCK ROAD, #04-01 KING'S CENTRE, SINGAPORE 169662
65.6768.5800 TEL • 65.6737.5149 FAX • CSEVERPURE@PENTAIR.COM EMAIL

All Pentair trademarks and logos are owned by Pentair, Inc. or its affiliates. All other registered and unregistered trademarks and logos are the property of their respective owners. Because we are continuously improving our products and services, Pentair reserves the right to change specifications without prior notice.

Pentair is an equal opportunity employer.

EV7016-53 N015 © 2015 Pentair Filtration Solutions, LLC. All Rights Reserved.